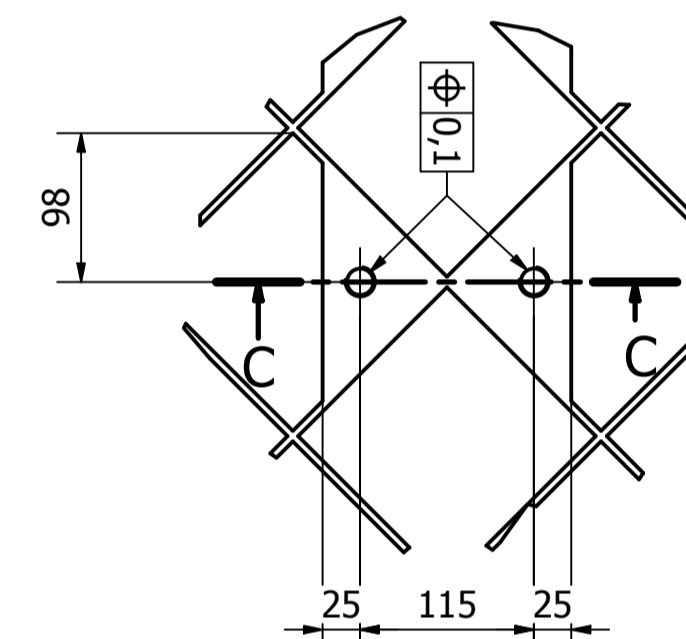
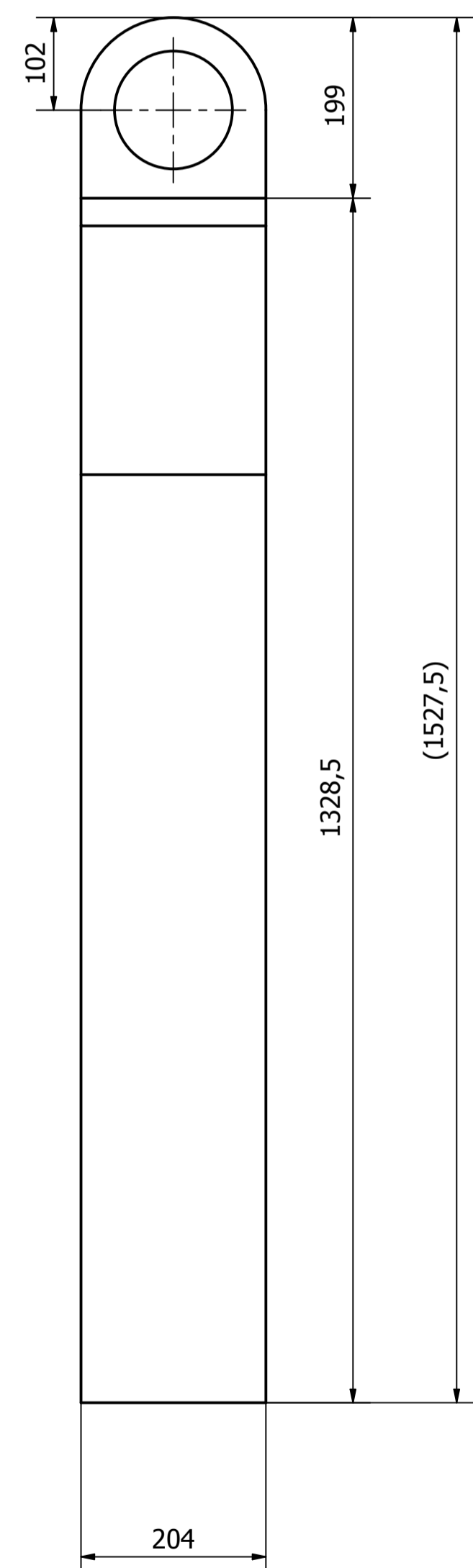
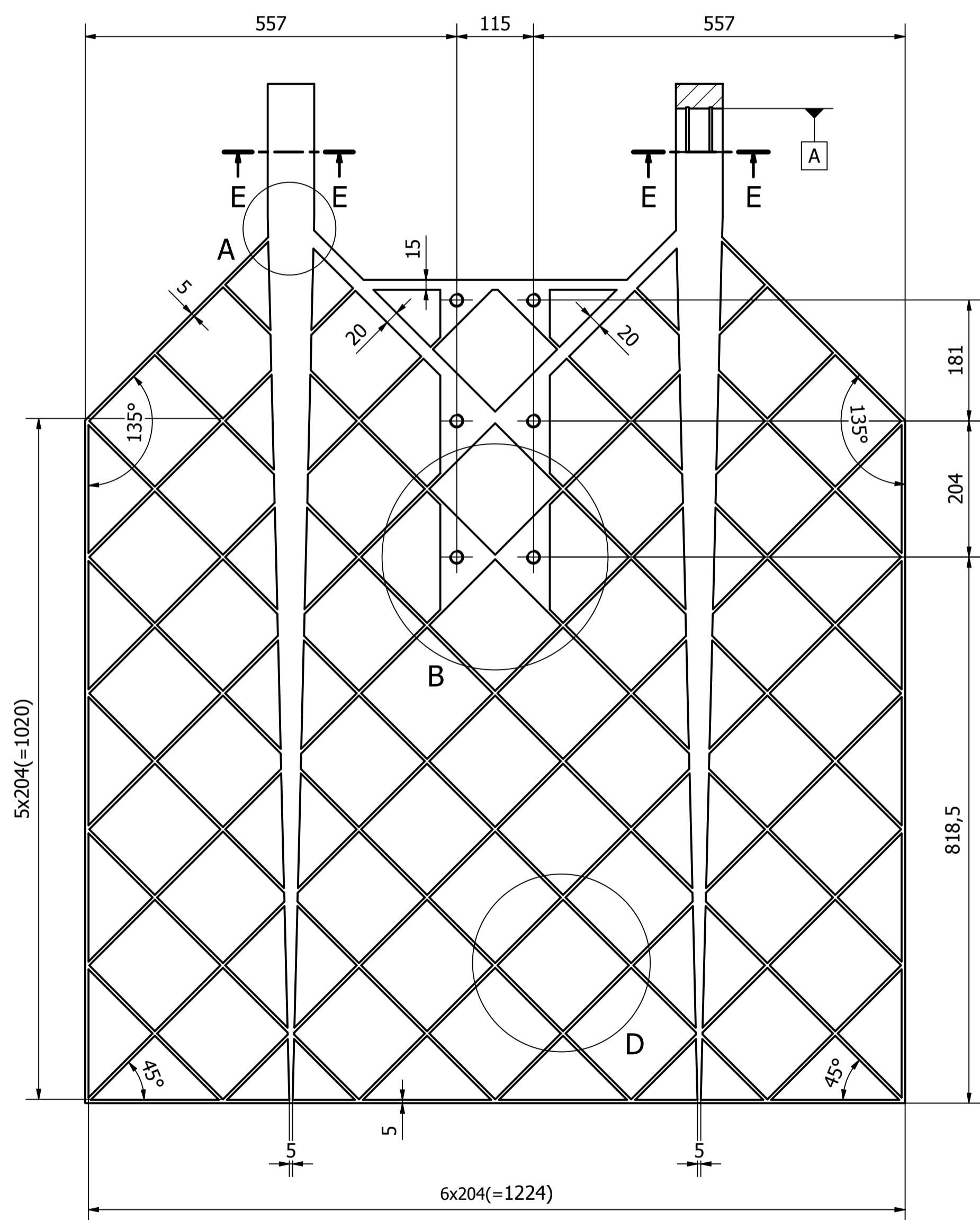
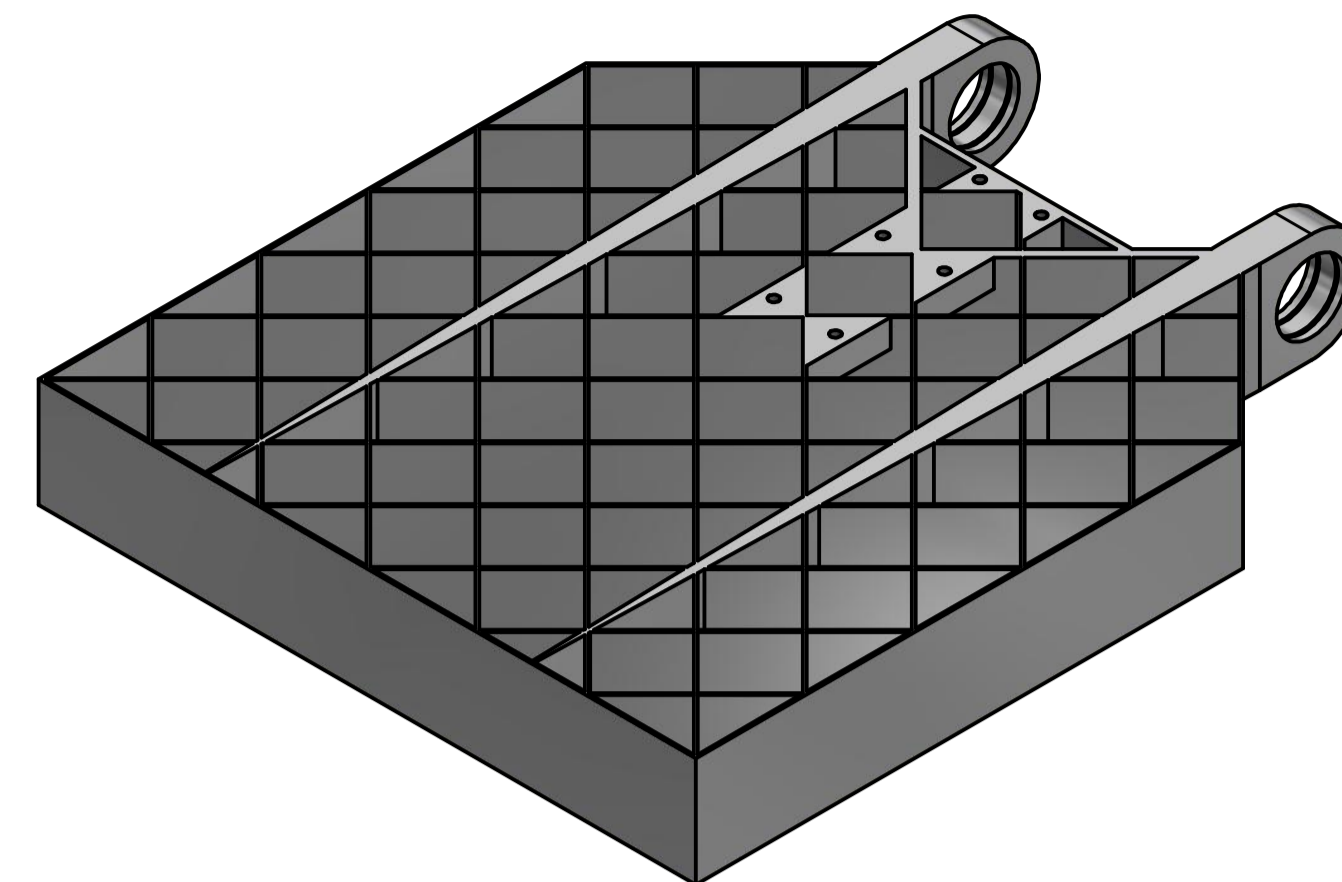
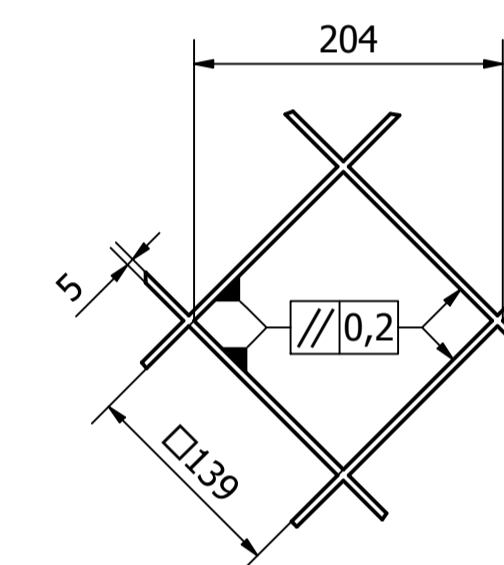


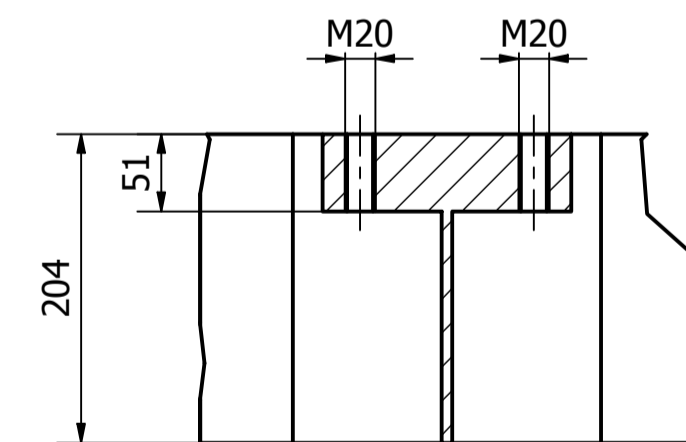
A (1 : 3)



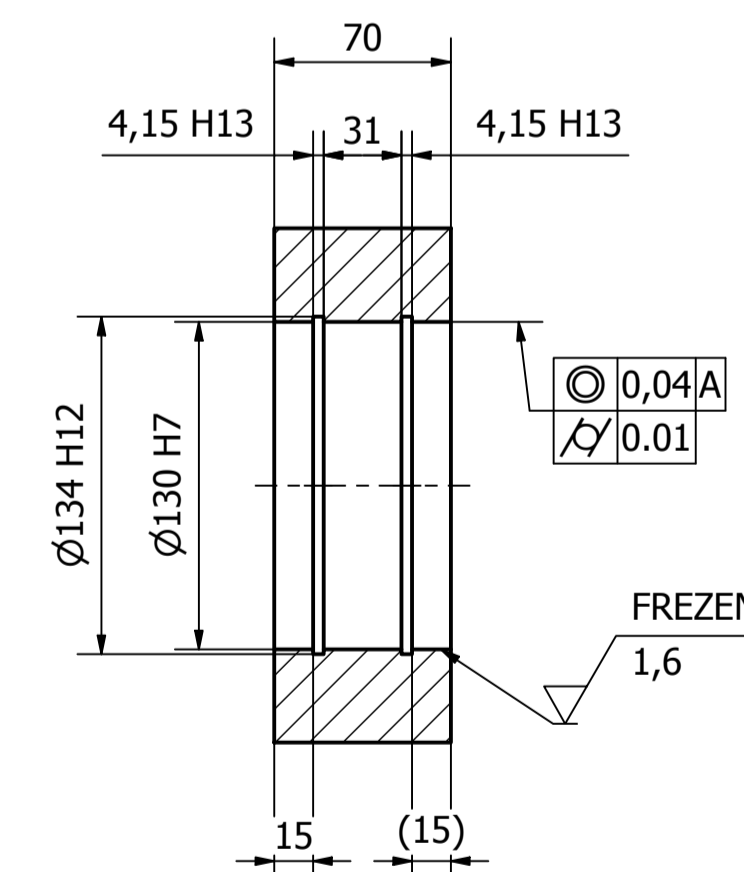
B (1 : 5)



D (1 : 5)



C-C (1 : 5)



E-E (1 : 3)

3,2

MAATTOLERANTIES VOOR MATEN ZONDER TOLERANTIEAANDUIDING			
BOVEN	-	6	30
TOT EN MET	6	30	-
TOLERANTIE	±0,1	±0,2	±0,3

THE INFORMATION HEREON IS PROPERTY OF THE HHA. WITHOUT WRITTEN PERMISSION, ANY COPYING, TRANSMITTAL TO OTHERS, AND ANY USE EXCEPT THAT FOR WHICH IT IS LOANED, IS PROHIBITED.				
Roughness acc. NEN-EN-ISO 1304	Dimensional tol. acc. NEN-ISO 406	Geometrical tol. acc. NEN-ISO 1101	Without tolerance indication: DIN-ISO 2768-	Material: Aluminum 7075
Student: Mike Heddes	Teacher: G. de Jonge	Student Number: 500735300	Study Year: 18/19	Scale: 1 : 10
Education: ED&I	Date: 18-12-2018	Sheet: 1/1		
Amsterdam University of Applied Sciences		Part Name: Grid fin - 2015.ipt	Part Number: Grid fin	Format: A1